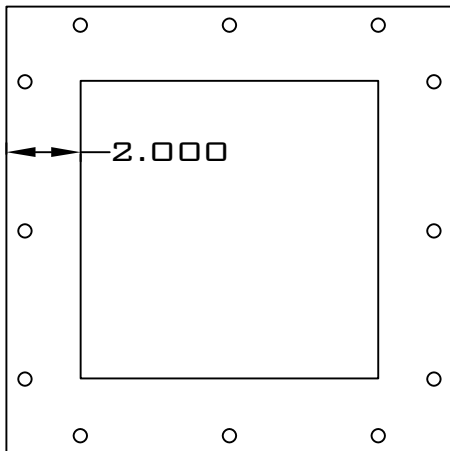




# Bullet Resistant<sup>®</sup> Light Kit Detail

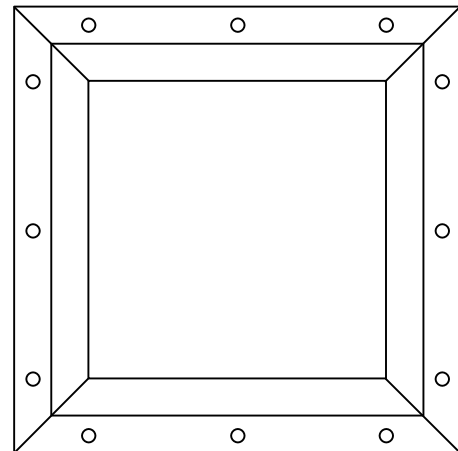
THREAT SIDE



CUTOUT =  
VISIBLE +  
2.500"

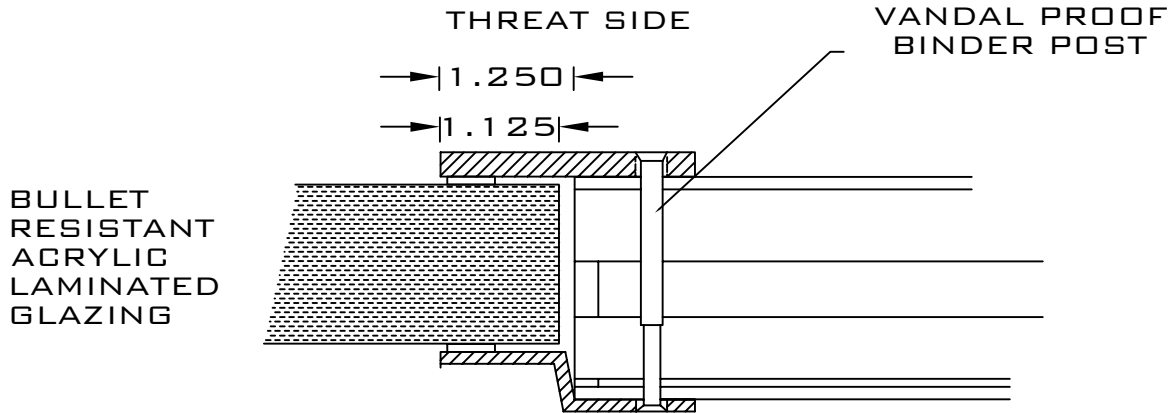
GLASS =  
VISIBLE +  
2.250"

SAFE SIDE



7 GA COLD ROLL  
STEEL CUT FROM A  
SOLID SHEET MANY  
COLOR OPTIONS

12 GA COLD  
ROLL STEEL  
FORMED AND  
WELDED



WE USE UL 752 LEVEL 3 MATERIALS  
ON OUR PBR-1, PBR-2 AND PBR-3 MODEL DOORS  
PLEASE CONSULT SALES FOR LIMITATIONS