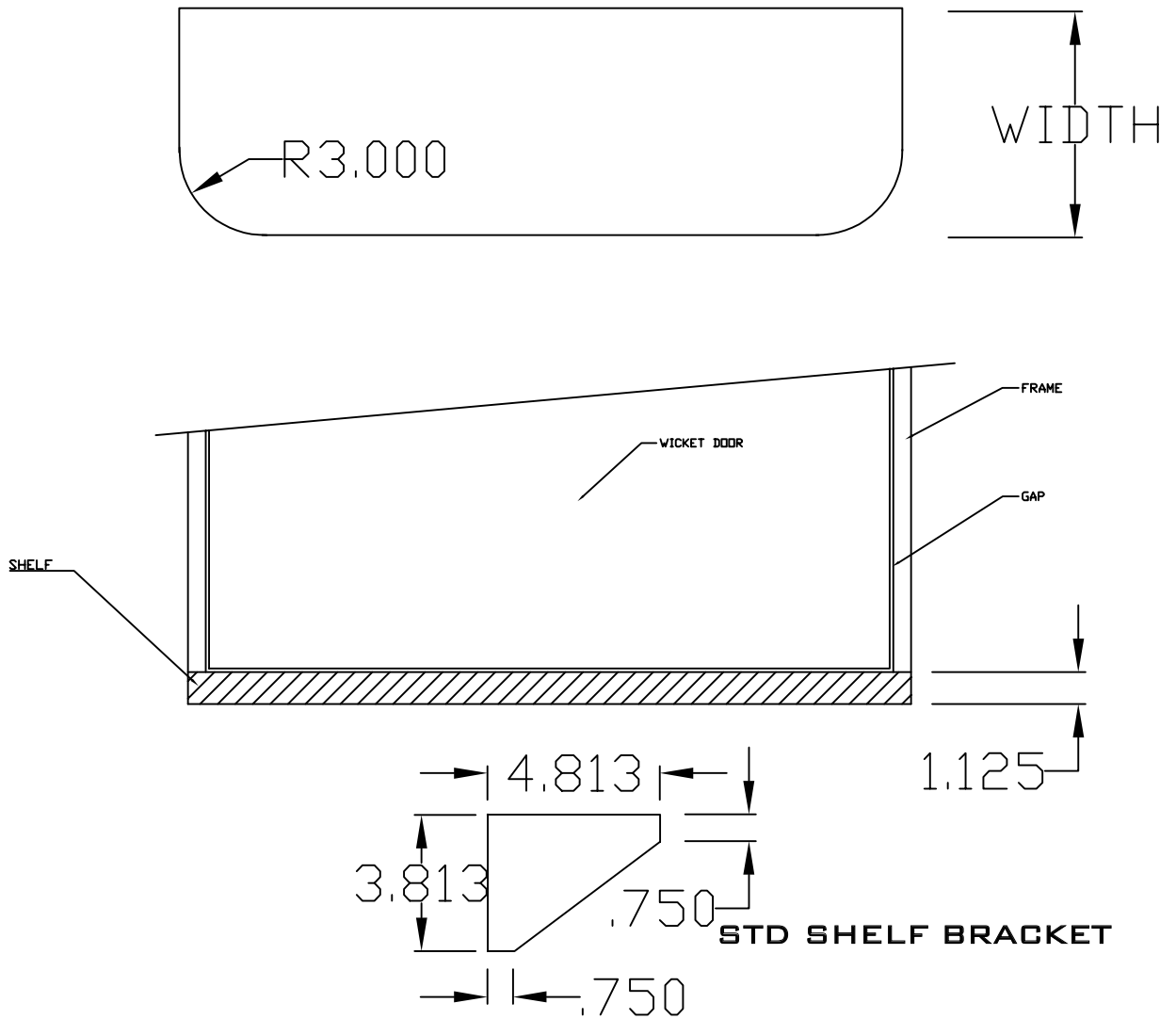




Wicket Door Dutch Shelf



WIDTH = STANDARD WIDTHS 8" 10" 12" ANY OTHERS ARE "CUSTOM"
 SHELVES 7" OR WIDER WILL COME WITH 2 BRACKETS
 LENGTH = WIDTH OF THE OPENING PLUS 1.250"