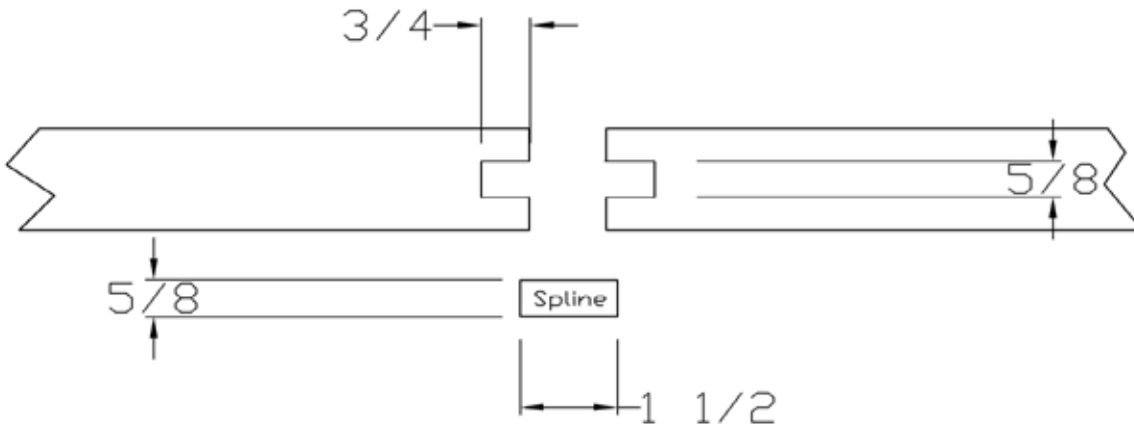




Spline Door Assembly



(Drawing not to scale)

Spline Door Assembly Instructions

All Spline doors are manufactured with double stiles to help maintain the stile integrity of the door. The stiles may be hardwood or Structural Composite Lumber. A 5/8" wide by 3/4" deep slot is cut into the meeting edges of each leaf. The top of each individual leaf will be marked. When more than 2 leaves are required, the meeting edges will be marked for proper orientation.

On a large flat surface, dry fit the entire assembly prior to applying any adhesives as climate differences may affect the fit of the spline. If the spline is too tight or if it prevents the 2 door leaves from fitting together it may need to be sanded slightly to obtain a non-interfering fit.

Adhesives: ANSI Type 1 waterproof adhesives are recommended. We suggest the use of moisture reactive polyurethanes, as their ability to expand and completely fill the joint between components helps insure a strong bond. Adhesive should be applied to all mating surfaces of the 3 components that make up the spline joint.

Clamping: For best results we suggest bar clamps be used that are large enough to span from outside stile to outside stile and be located every 36" along the length of the door. We also suggest a method of clamping be used that will ensure the door leaves remain flat.

Follow your adhesive manufacturers recommendations for cure or dry time as well as clean up.

Spline doors are intended for sliding applications and are not designed to be swung from hinges.